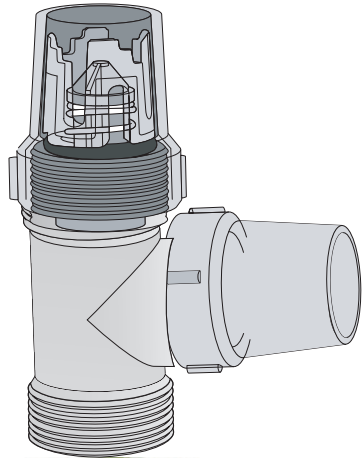
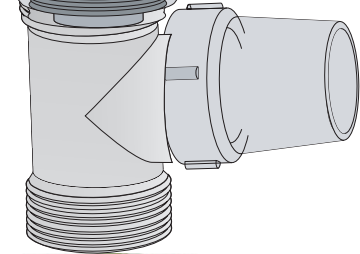


Valve



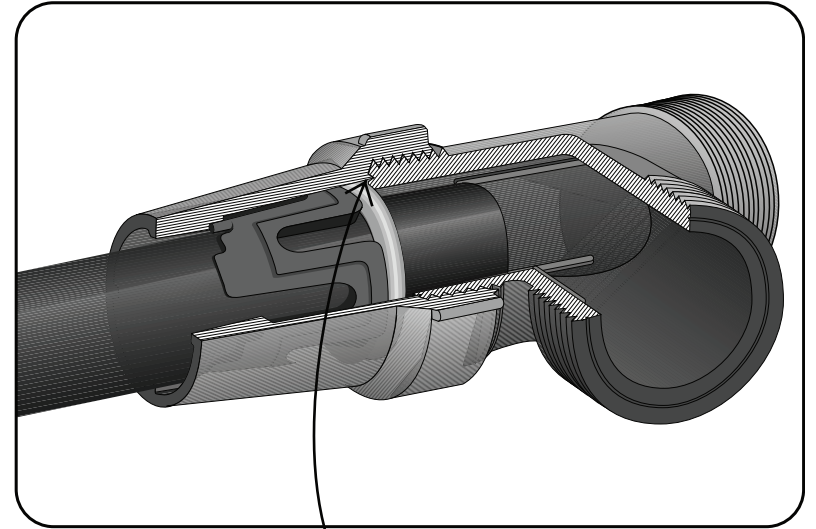
Cone Blank



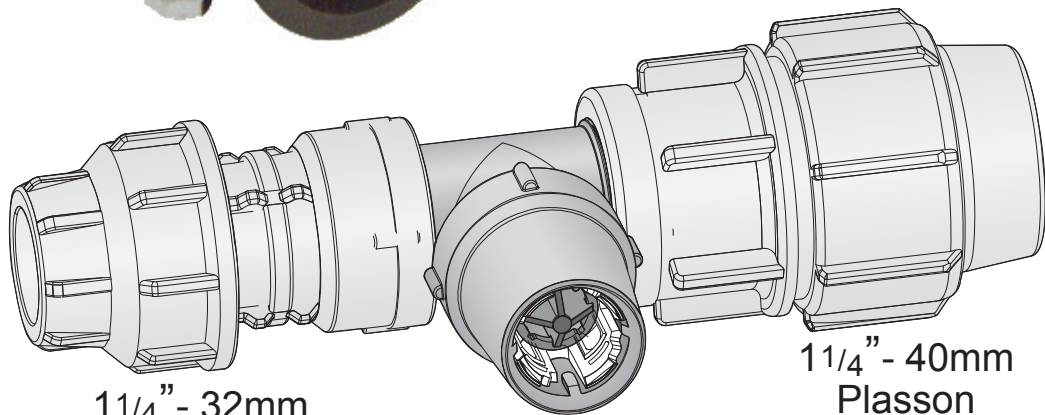
Female Threaded Branch Saddle 1 1/4"



Threading our cone which has a 1 1/4" female thread onto a third party 1 1/4" male thread- it can be done but be aware that the sealing tooth will not be aiding the seal unless you heat the third party fitting and then make an impression with our valve



Sealing tooth



1 1/4" - 32mm Plassim Female Adaptor

1 1/4" - 40mm Plasson Female Adaptor

